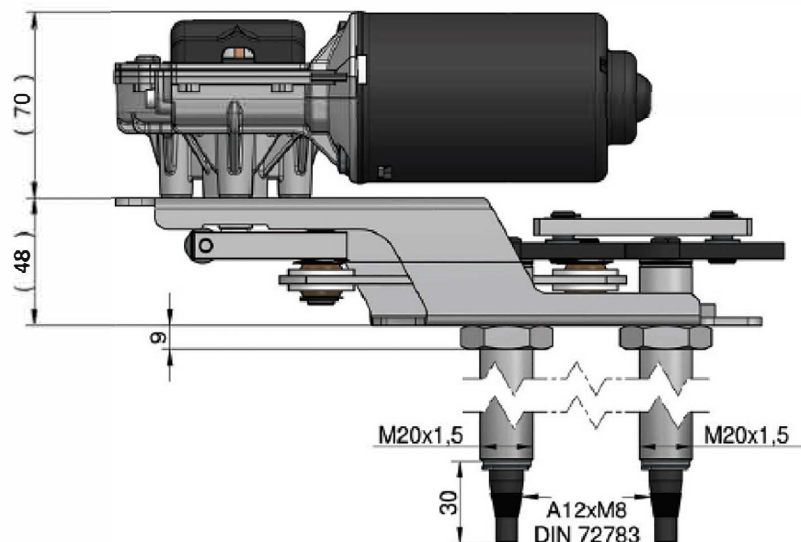
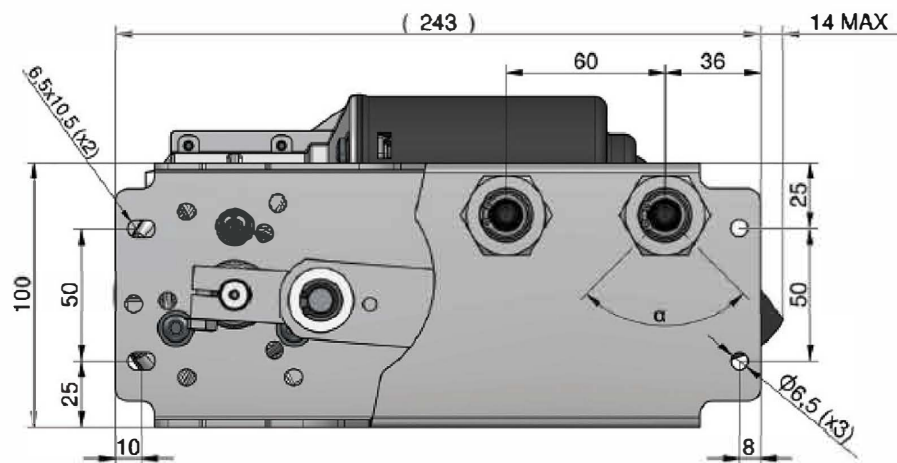


Compact Medium



TECHNICAL DATA

DESCRIPTION	1 SPEED		2 SPEED	
	12V	24V	12V	24V
Nominal voltage (V)	12V	24V	12V	24V
Testing voltage (V)	13V	26V	13V	26V
No load speed (RPM)	30		30/40	
Nominal torque (Nm)	5		5/4	
Starting torque (Nm)	50	55	50/40	55/45
Wiping angle (α)	50°, 60°, 70°, 80°, 90°			
Bushes length (L mm)	25, 60			
Weight (Kg)	3,3 Kg			
Max length of single arm + blade	Arm: 800mm Blade: 800mm			
Max length of pantograph arm + blade	Arm: 800mm (Optional: Distance 65mm) Blade: 800mm			
Parking position	Left or Right			



DOWNLOAD
COMPACT MEDIUM
TECHNICAL SKETCH

OSLV ITALIA

