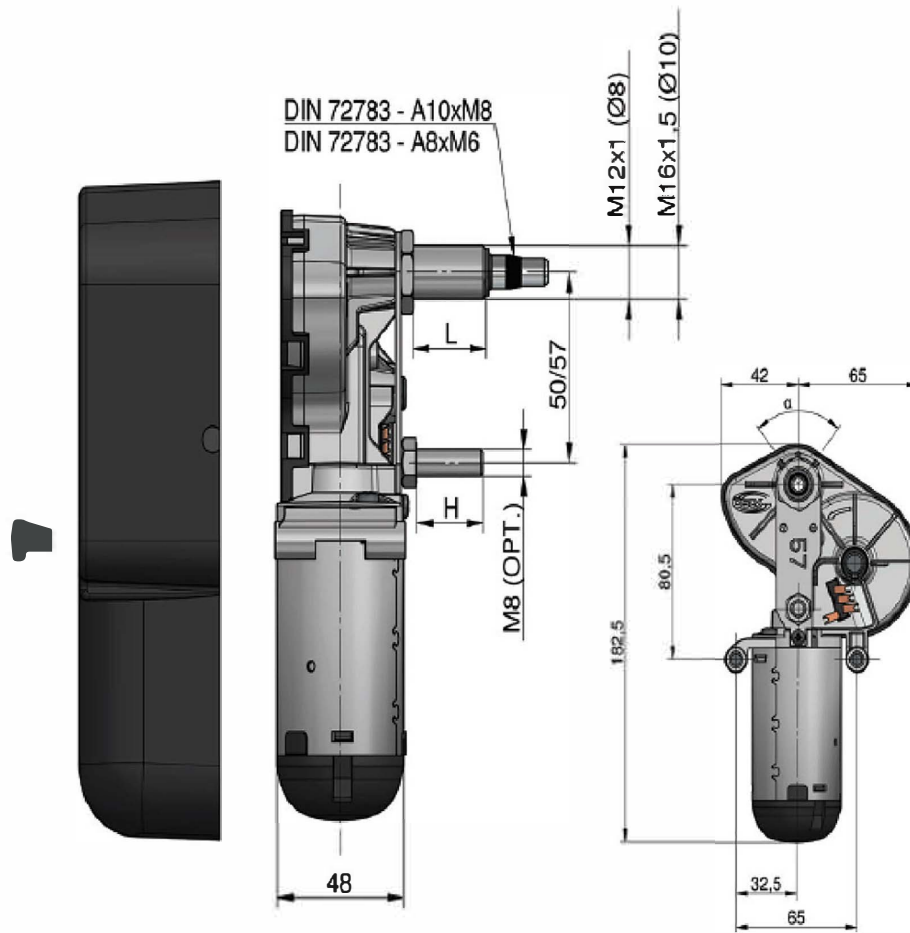


Gearmotor for windshield wipers MRT50



TECHNICAL DATA

DESCRIPTION	1 SPEED	
	12V	24V
Nominal voltage (V)	12V	24V
Testing voltage (V)	13,5V	27V
Nominal current (A)	1,5	1
Max current (A)	10	6
No Load Speed (RPM)	45	
Nominal current (RPM)	45	
Nominal Torque (Nm)	1	
Starting Torque (Nm)	10	
IP Grade	20	
Weight (Kg)	0,9	
Wiped angle from... to...	50° min. - 175° max.	
Max arm length + brush	600+600	
Maximum length of pantograph arm + brush	600+600	
Parking spot	RIGHT/LEFT	



DOWNLOAD
GEARMOTOR FOR WINDSHIELD WIPERS MRT50
TECHNICAL SKETCH

OSLV ITALIA

