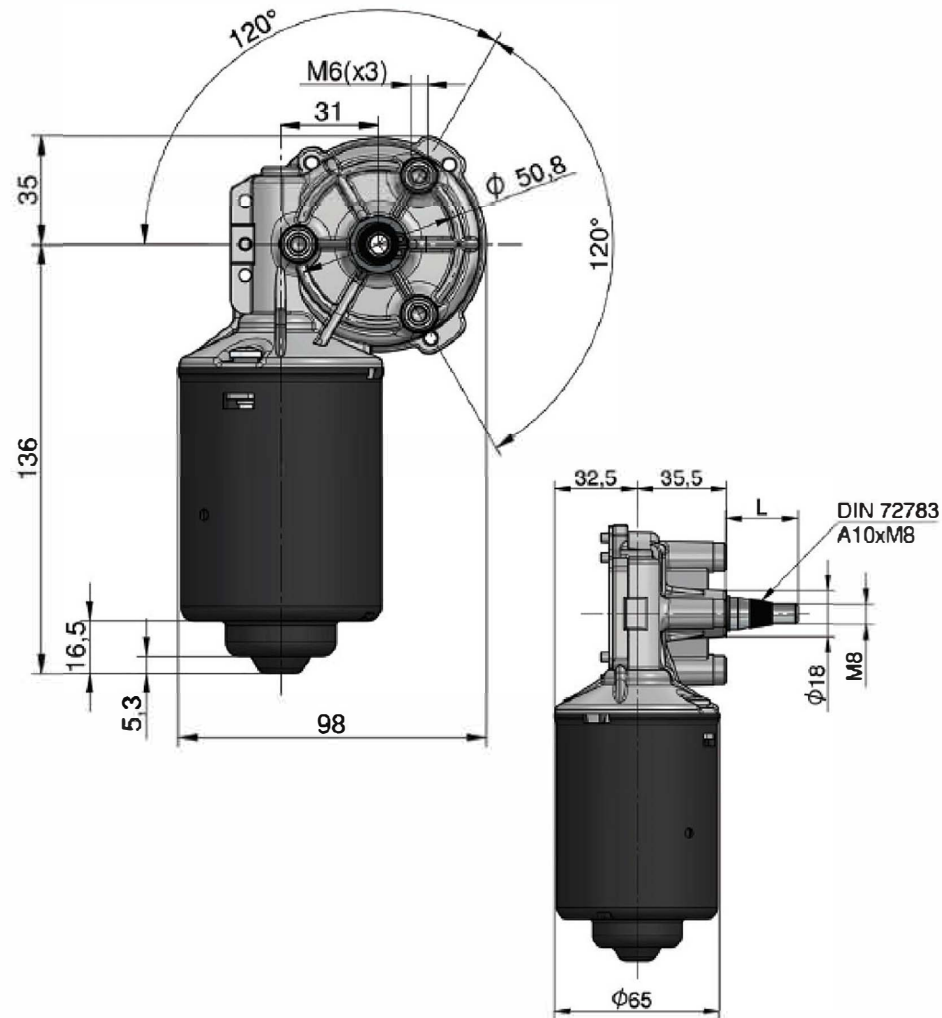


Gearmotor for windshield wipers MRT62-31



TECHNICAL DATA

| DESCRIPTION | 1 SPEED | | 2 SPEED | |
|----------------------|---------------------|-----|---------|-------|
| | Nominal voltage (V) | 12V | 24V | 12V |
| Testing voltage (V) | 13,5 V | 27V | 13,5 V | 27V |
| Nominal current (A) | 2 | 1,5 | 2/2.5 | 1,5/2 |
| Max current (A) | 12 | 10 | 12/15 | 10/13 |
| No Load Speed (RPM) | 35 | | 30/50 | |
| Nominal Torque (Nm) | 4 | | | |
| Starting Torque (Nm) | 25 | 28 | 25/20 | 28/24 |
| Gear Ratio | 1/55 | | | |
| IP Grade | 40 | | | |
| Weight (Kg) | 0,9 | | | |



DOWNLOAD
GEARMOTOR FOR WINDSHIELD
WIPERS MRT62-31
TECHNICAL SKETCH

OSLV ITALIA

