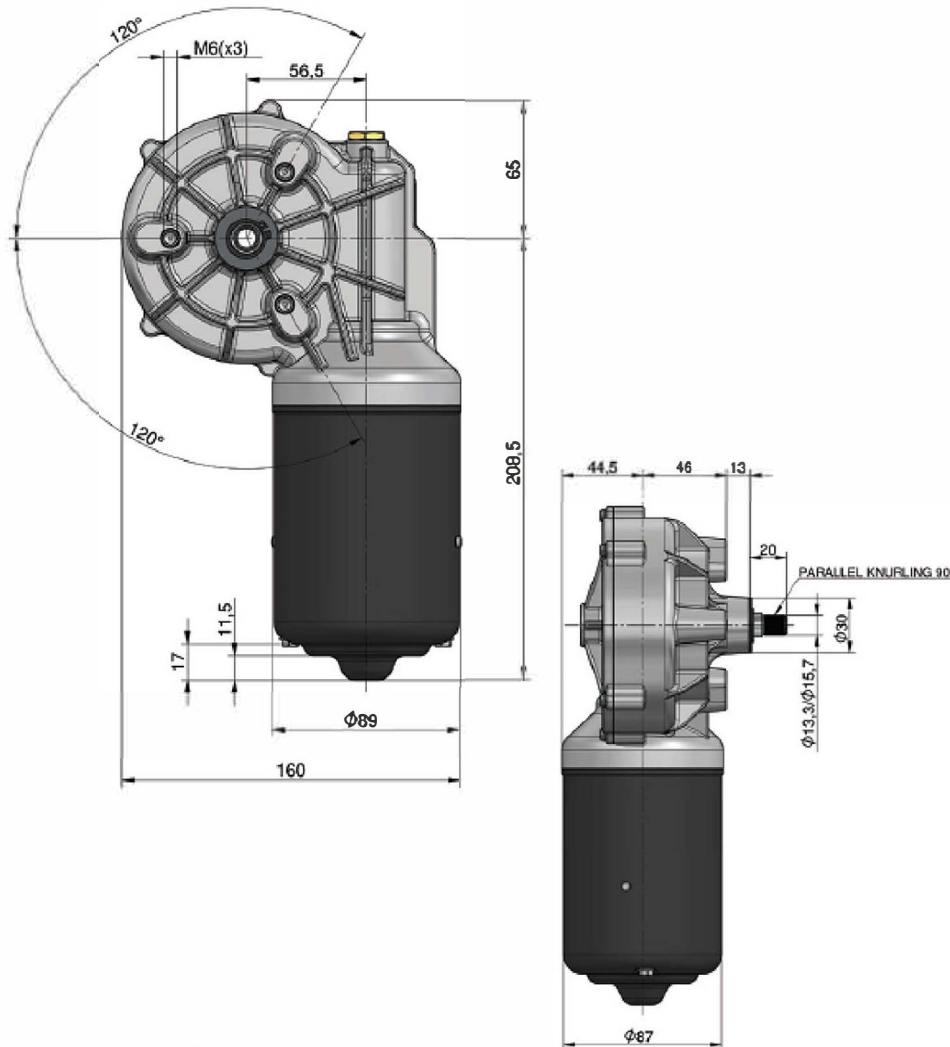


Gearmotor for windshield wipers MRT90-56



TECHNICAL DATA

| DESCRIPTION | 1 SPEED | | 2 SPEED | |
|----------------------|---------------------|-----|---------|---------|
| | Nominal voltage (V) | 12V | 24V | 12V |
| Testing voltage (V) | 13,5V | 27V | 13,5V | 27V |
| Nominal Current (A) | 3 | 2,5 | 3/4 | 2,5/4 |
| Max. Current (A) | 18 | 16 | 18 / 25 | 16 / 23 |
| No Load Speed (RPM) | 30 | | 30/45 | |
| Nominal Torque (Nm) | 12 | | | |
| Starting Torque (Nm) | 90 | | 90/80 | |
| Gear Ratio | 1 / 67 | | | |
| IP Grade | 40 | | | |
| Weight (Kg) | 4 | | | |



DOWNLOAD
GEARMOTOR FOR WINDSHIELD
WIPERS MRT90-56
TECHNICAL SKETCH

OSLV ITALIA