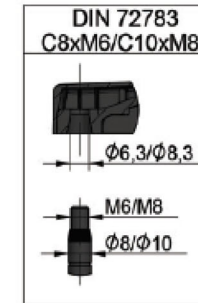
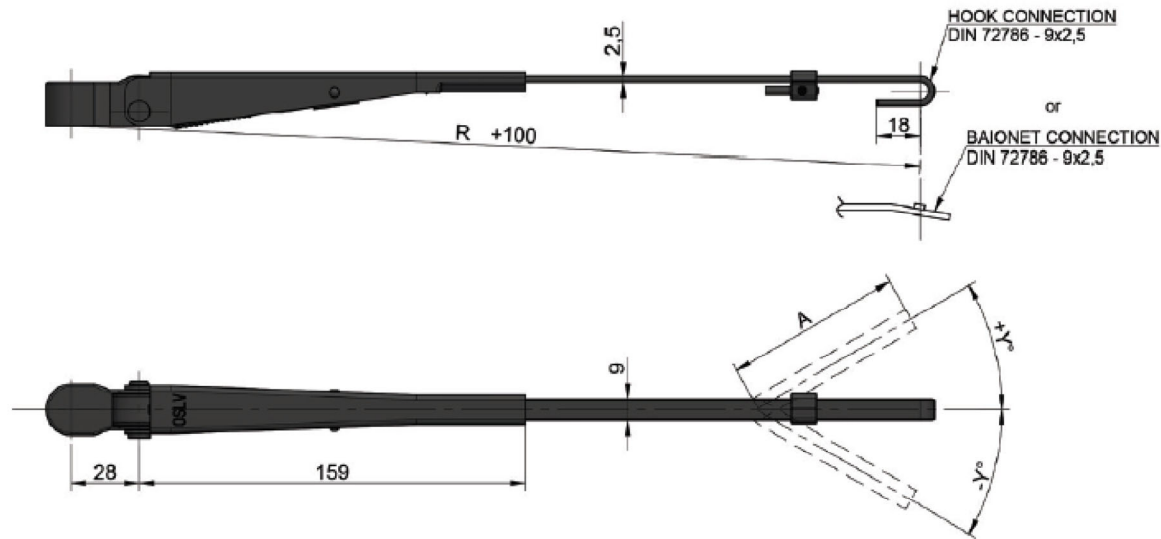


Adjustable single arm 9x2.5



DOWNLOAD
ADJUSTABLE
SINGLE ARM 9X2.5
TECHNICAL SKETCH



TECHNICAL DATA

DESCRIPTION	VALUE							
Lengths	350±50	365±50	380±50	400±50	450±50	480±50	500±50	550±50
Angles bending	±20°							
Shaft connection	DIN72783 C8xM6				DIN72783 C10xM8			
Blade connection	Bayonet connection				DIN72786-3 9x3 Hook connection			
Nozzle	Optional							