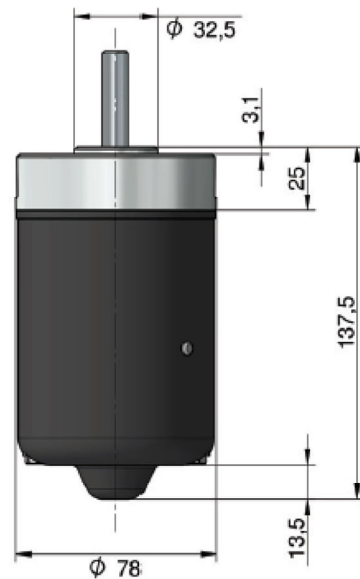
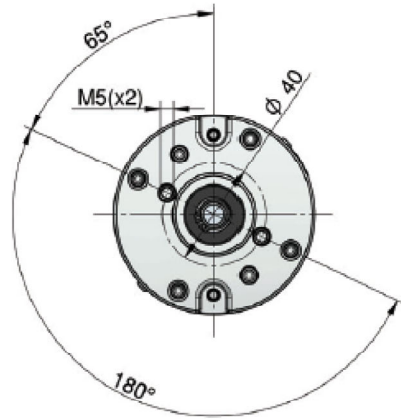


Motor M76



TECHNICAL DATA

DESCRIPTION	VALUE	VALUE
Nr of poles	2	4
Supply Voltage (VDC)	12, 24, 36, 48	12
No Load speed (RPM)	1000÷5000	5000
Max Output Power (W)	< 120	350
Starting Torque (Nm)	< 2,5	< 2
Duty Type	S1, S2, S3	S3
Weight (Kg)	< 1,6	< 1,5

Accessories

- Standard EMC filter
- Single or dual channel Hall sensor with 1, 2, 4, 8 pulses/revolution
- Standard EMC filter

Customizations

- EMC filter
- Thermal protection
- Output shaft
- Connector and wiring



DOWNLOAD
MOTOR M76
TECHNICAL SKETCH