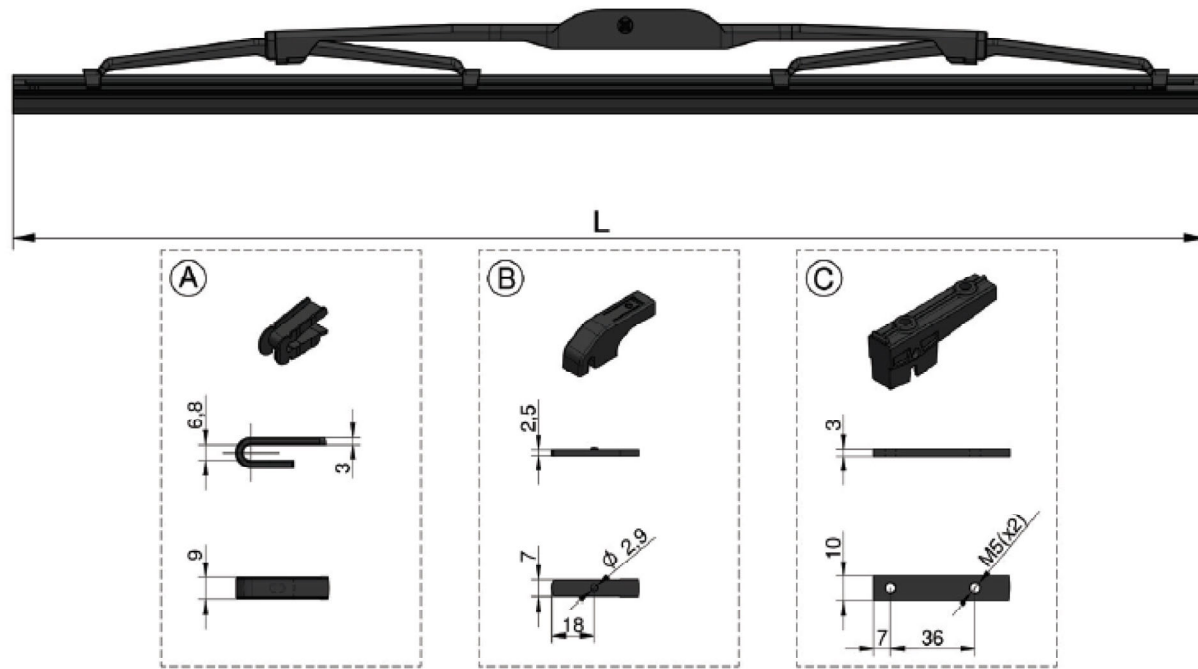


# Standard Blade



## TECHNICAL DATA

LENGTH BLADE	ADAPER
290	A - B
300	A - B
330	A - B
350	A - B
380	A - B - C
410	A - B - C
450	A - B - C
510	A - B - C
550	A - B - C
600	A - B - C
650	A - B - C



DOWNLOAD  
STANDARD BLADE  
TECHNICAL SKETCH