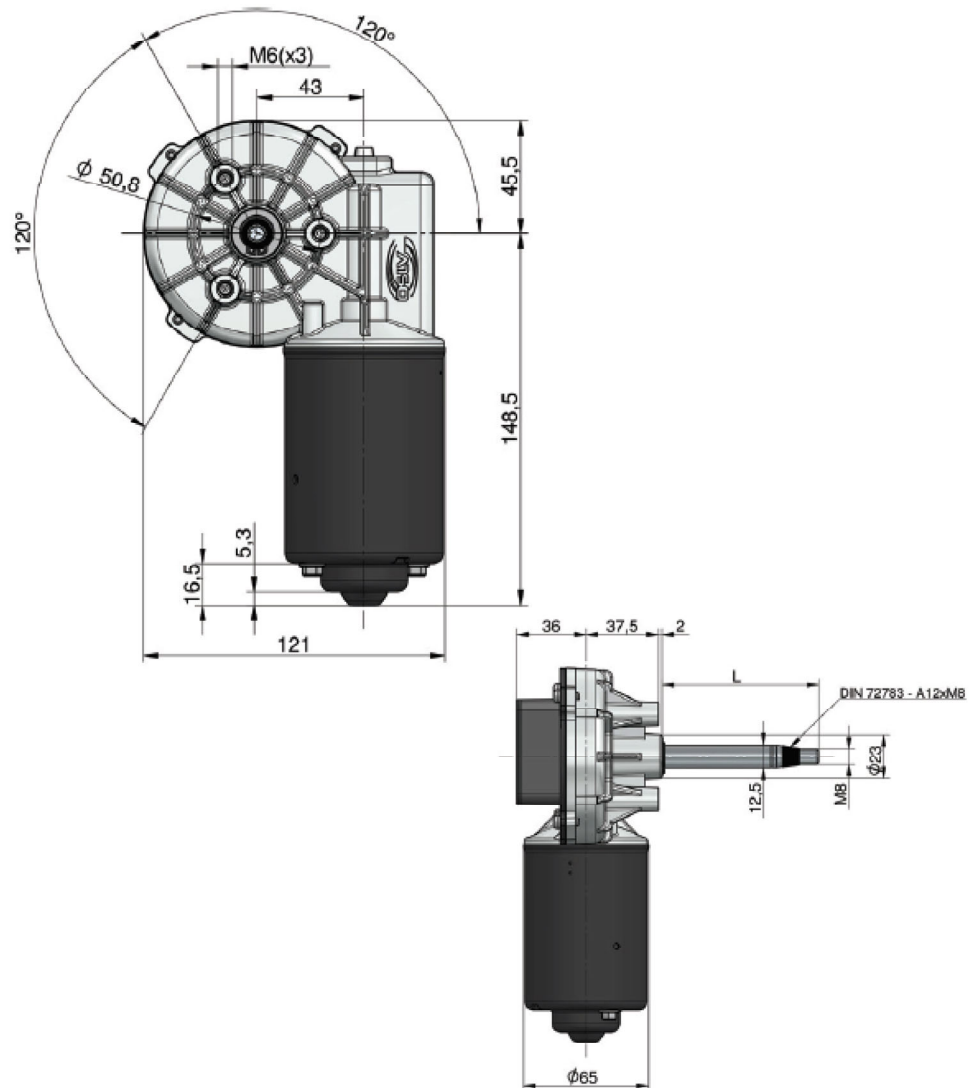


Gearmotor Direct Drive Wiper Motor 62-43



TECHNICAL DATA

DESCRIPTION	VALUE
Nominal voltage (V)	12V
Testing voltage (V)	13,5V
No load Current (A)	< 2,5 A
No Load Speed (RPM)	40±10%
Nominal Torque (Nm)	4
Starting Torque (Nm)	25
Gear Ratio	1 / 63
IP Grade	40
Weight (Kg)	1,6
Wiped angle from... to ...	45° min. - 360° max.
Max Length single arm + Blade	600 + 600
Parking position	Left or Right



DOWNLOAD
**GEARMOTOR DIRECT DRIVE
 WIPER MOTOR (DDWM 62-43)**
 TECHNICAL SKETCH