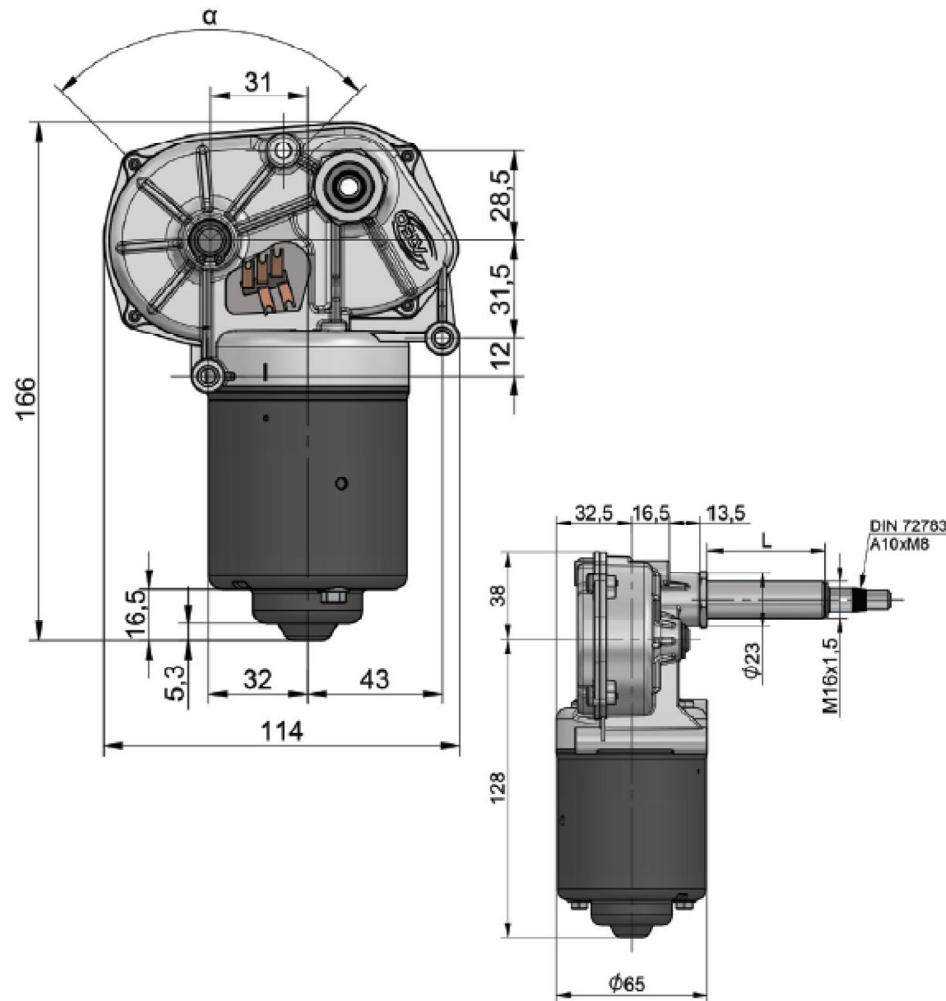


# Gearmotor for Windshield Wipers MRT62-JD



## TECHNICAL DATA

DESCRIPTION	1 SPEED		2 SPEED	
	12V	24V	12V	24V
Nominal voltage (V)	12V	24V	12V	24V
Testing voltage (V)	13,5V	27V	13,5V	27V
Nominal current (A)	2,5	1,5	2,5/3	1,5/2
Max current (A)	15	10	15/17	10/13
No load speed (RPM)	30		30/45	
Nominal torque (Nm)	2	3	2/3	3/4
Starting torque (Nm)	20	22	20/18	22/20
IP Grade	65			
Weight (Kg)	1,4			
Wiped angle from... to ...	50° (min) ÷ 175° (max)			
Max Lenght single arm + Blade	600 + 600			
Max length pantograph arm + Blade	600 + 600			
Parking spot	Left or Right			



DOWNLOAD  
GEARMOTOR FOR WINDSHIELD  
WIPERS MRT62-JD  
TECHNICAL SKETCH