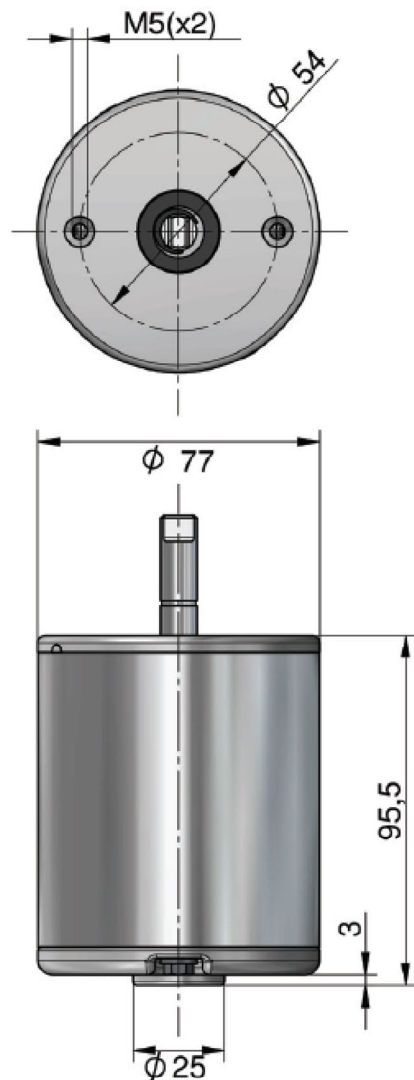


Motor M76 DOUBLE FLANGE



TECHNICAL DATA

DESCRIPTION	VALUE	
Nominal Voltage (VDC)	12, 24, 36, 48	
No Load speed (RPM)	1000÷5000	
Max Output Power (W)	< 120	
Starting Torque (Nm)	< 2,5	
Duty Type	S1, S2, S3	S3
Weight (Kg)	< 1,6	
Accessories	<ul style="list-style-type: none">• Standard EMC filter• Single or dual channel Hall sensor with 1, 2, 4, 8, pulses/revolution	
Customizations	<ul style="list-style-type: none">• EMC filter• Thermal protection• Output shaft• Connector and wiring	



DOWNLOAD
MOTOR M76 DOUBLE FLANGE
TECHNICAL SKETCH