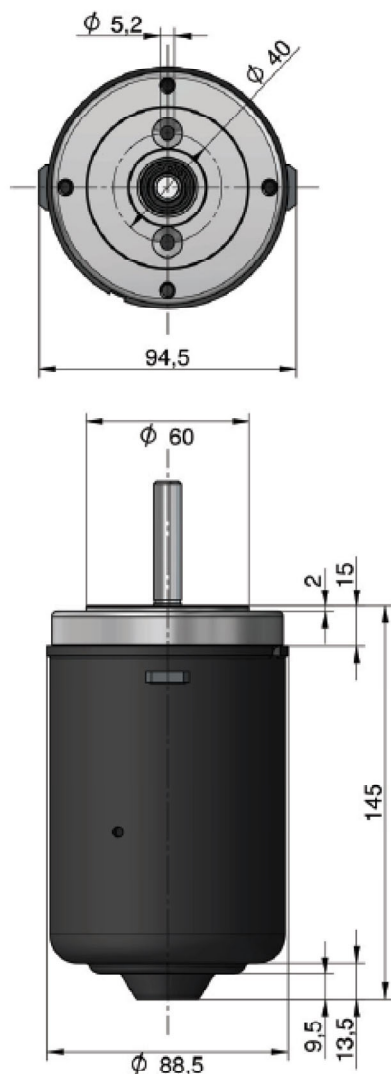


Motor M90



TECHNICAL DATA

DESCRIPTION	VALUE
Nominal Voltage (VDC)	12, 24, 36, 48
No Load speed (RPM)	2000-5000
Max Output Power (W)	< 200
Starting Torque (Nm)	< 3
Duty Type	S1, S2, S3
Weight (Kg)	< 2,4
Accessories	<ul style="list-style-type: none">• Standard EMC filter• Single or dual channel Hall sensor with 1 pulses/revolution
Customizations	<ul style="list-style-type: none">• EMC filter• Thermal protection• Output shaft• Connector and wiringablaggio



DOWNLOAD
MOTOR M90
TECHNICAL SKETCH