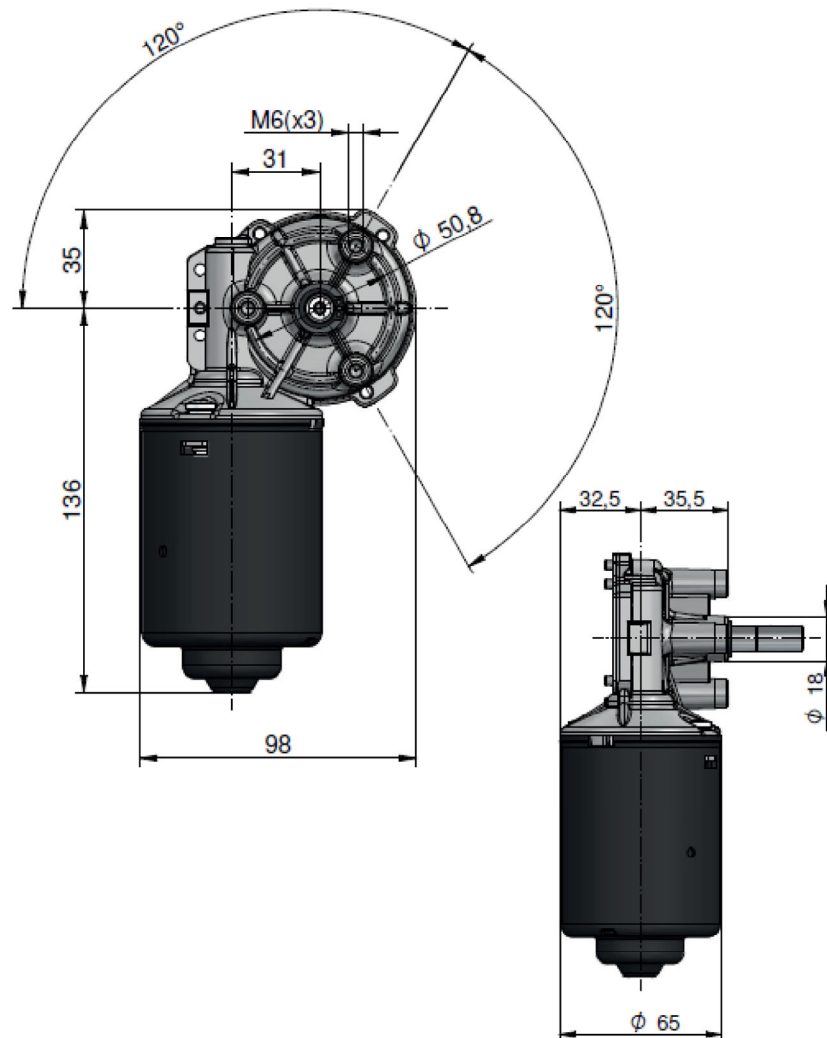


Gearmotor MR62-31



TECHNICAL DATA

DESCRIPTION	VALUE
Supply Voltage (VDC)	12, 24, 36, 48
No Load speed (RPM)	15÷370
Starting Torque (Nm)	< 40
Gear ratio	1:69, 1:55, 2:53, 4:44
Gearwheel material	Pom, Bronzo - Pom, Bronze
Duty Type	S1, S2, S3
Max output power (W)	< 60
Weight (Kg)	< 1.2
Accessories:	<ul style="list-style-type: none"> • Standard EMC filter • Single or dual channel Hall sensor with 1, 2, 4, 12 pulses/revolution

Customizations:

- EMC filter
- Thermal protection
- Output shaft
- Connector and wiring



DOWNLOAD
GEARMOTOR MR62-31
 TECHNICAL SKETCH