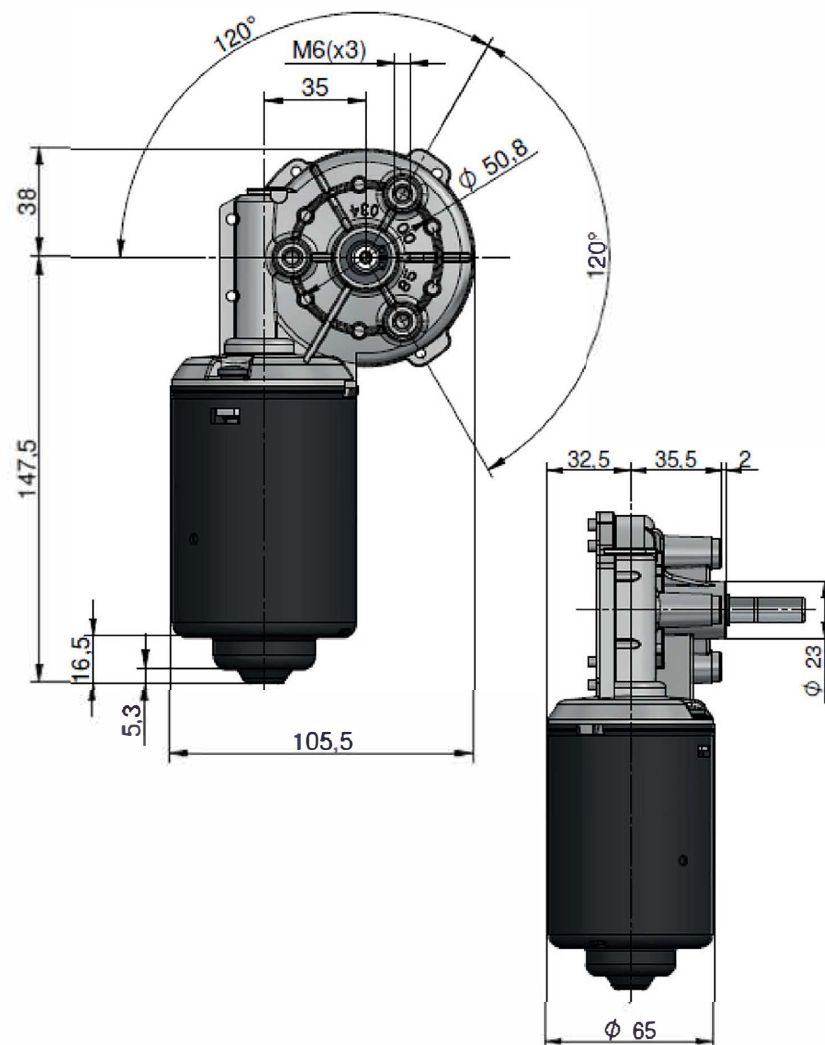


Gearmotor MR62-35



OSLV ITALIA

TECHNICAL DATA

| DESCRIPTION | VALUE |
|----------------------|---|
| Supply Voltage (VDC) | 12, 24, 36, 48 |
| No Load speed (RPM) | 25-80 |
| Starting Torque (Nm) | < 45 |
| Gear ratio | 1:63, 1:78 |
| Gearwheel material | Pom, Bronze |
| Duty Type | S1, S2, S3 |
| Max output power (W) | < 70 |
| Weight (Kg) | < 1.3 |
| Accessories: | <ul style="list-style-type: none">• Standard EMC filter• Single or dual channel Hall sensor with 1, 2, 4, 12 pulses/revolution |
| Customizations: | <ul style="list-style-type: none">• EMC filter• Thermal protection• Output shaft• Connector and wiring |



DOWNLOAD
GEARMOTOR MR62-35
TECHNICAL SKETCH