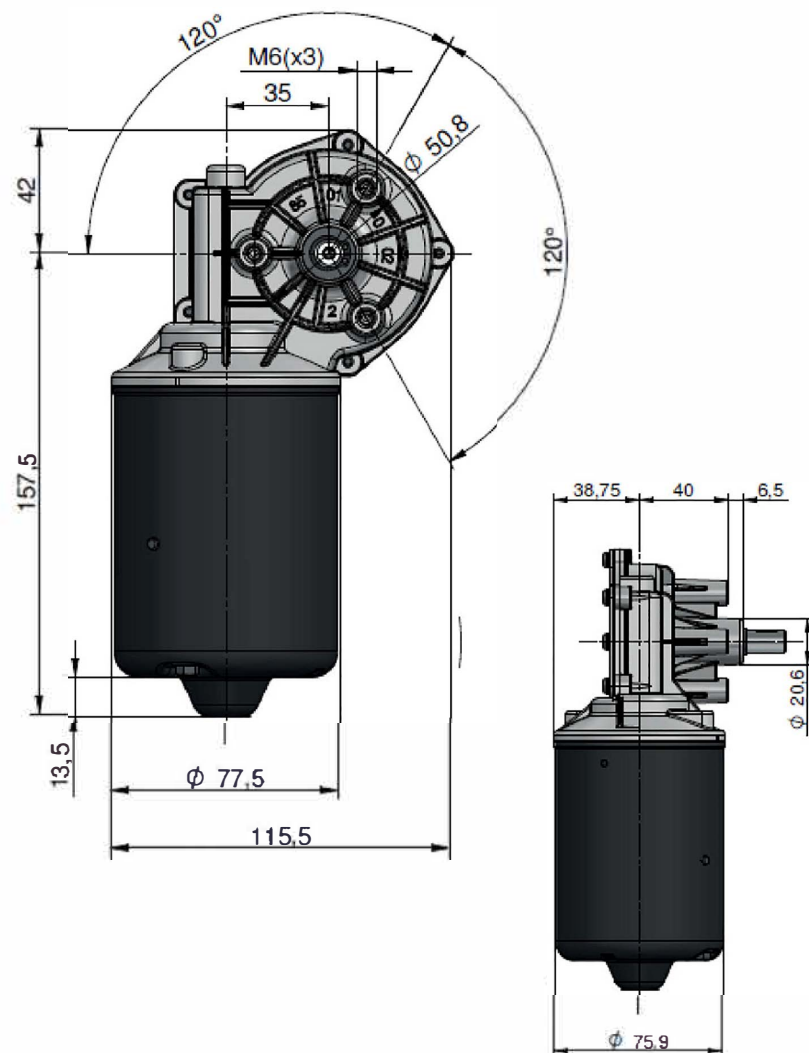


Gearmotor MR76



TECHNICAL DATA

DESCRIPTION	VALUE
Supply Voltage (VDC)	12, 24, 36, 48
No Load speed (RPM)	10÷350
Starting Torque (Nm)	< 65
Gear ratio	1:49, 1:61, 2:47, 4:71
Gearwheel material	Pom, Bronze
Duty Type	S1, S2, S3
Max output power (W)	< 120
Weight (Kg)	< 2.2
Accessories:	<ul style="list-style-type: none"> • Standard EMC filter • Single channel Hall sensor with 1, 2, 4, 8 pulses/revolution
Customizations:	<ul style="list-style-type: none"> • EMC filter • Thermal protection • Output shaft • Connector and wiring



DOWNLOAD
GEARMOTOR MR76
TECHNICAL SKETCH

OSLV ITALIA