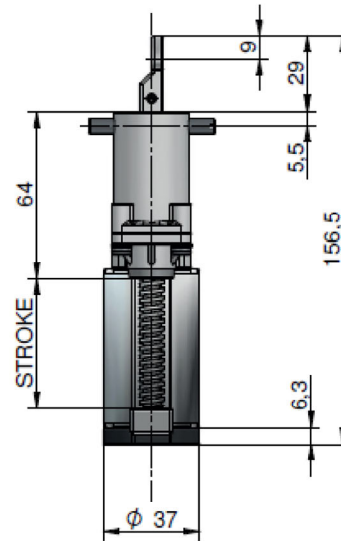
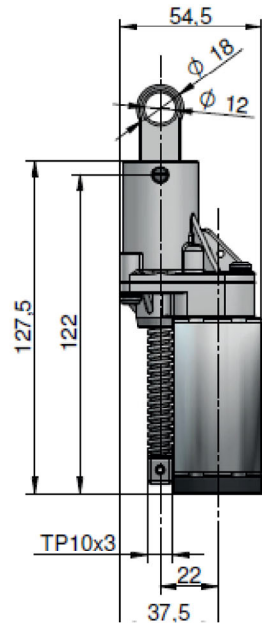
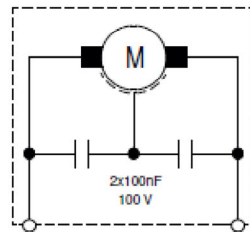
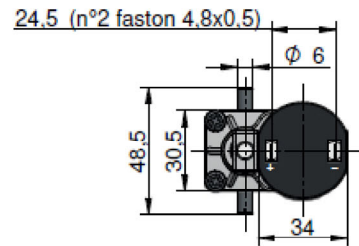


# Actuator without Encoder



## TECHNICAL DATA

DESCRIPTION	VALUE	
Supply Voltage (VDC)	12	24
Stroke (mm)	50÷300	
No load speed (mm/s)	2,7÷20	5÷40
Max load (N)	1600	2100
Gear Ratio	1:12, 1:50	
Spindle nut Material	POM	
Trapezoidal screw	TP10x3	
Duty Type	S1, S2, S3	
Weight (kg)	< 0,7	



DOWNLOAD  
**ACTUATOR WITHOUT ENCODER**  
 TECHNICAL SKETCH