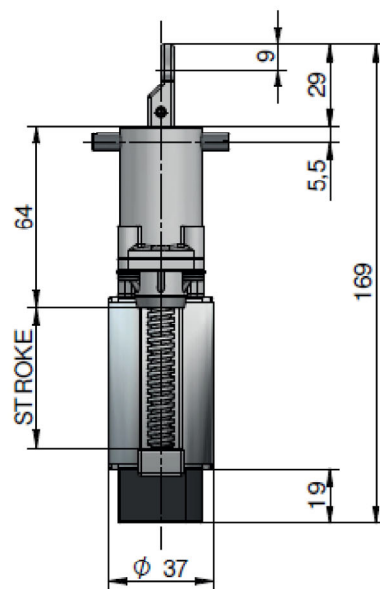
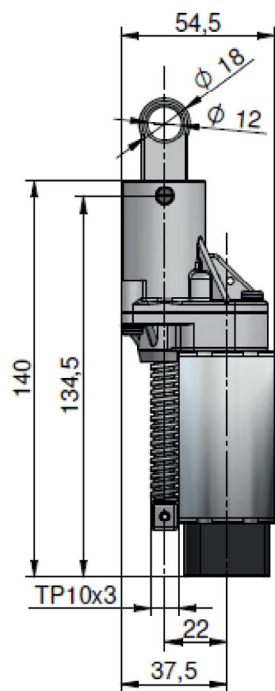
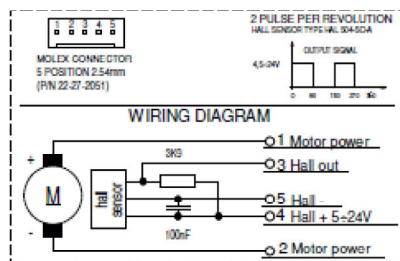
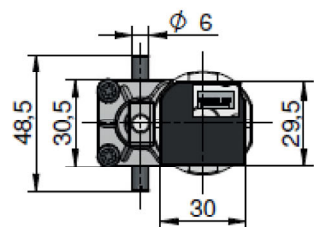


Actuator with Encoder



TECHNICAL DATA

DESCRIPTION	VALUE	
Supply Voltage (VDC)	12	24
Stroke (mm)	50÷300	
No load speed (mm/s)	2,7÷20	5÷40
Max load (N):	1600	2100
Gear Ratio	1:12	1:50
Spindle nut Material	POM	
Trapezoidal screw	TP10x3	
Duty Type	S1, S2, S3	
Pulses/revolution Hall sensor on motor shaft	2	
Weight (Kg)	< 0,7	



DOWNLOAD
ACTUATOR WITH ENCODER
TECHNICAL SKETCH

OSLV ITALIA

17