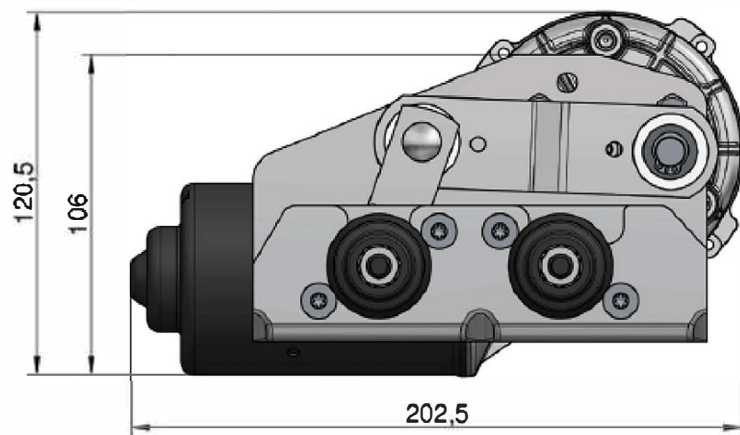
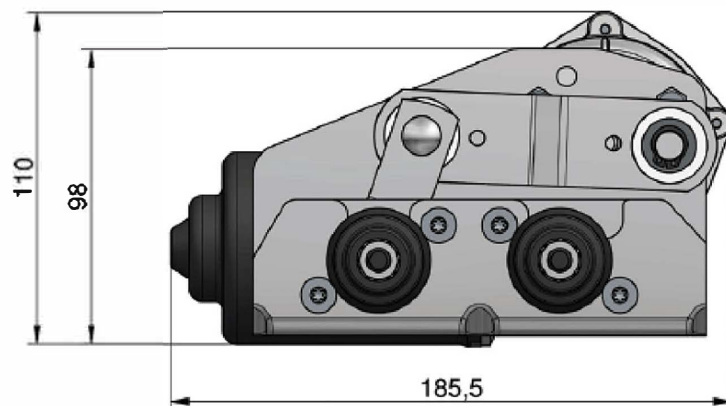


# Compact Small (open)



COMPLETE WIPER MECHANISM (LINKAGE + DC GEARMOTOR Ø62-43)



COMPLETE WIPER MECHANISM (LINKAGE + DC GEARMOTOR Ø62-35)

## TECHNICAL DATA

DESCRIPTION	1 SPEED		2 SPEEDS	
	12V	24V	12V	24V
Nominal voltage (V)	12V	24V	12V	24V
Testing voltage (V)	13V	26V	13V	26V
No load speed (RPM)	40		30/50	
Nominal torque (Nm)	3,5			
Starting torque (Nm)	35			
Wiping angle ( $\alpha$ )	45°, 50°, 55°, 60°, 70°, 75°, 80°, 85°, 90°, 100°, 105°			
Bushes length (L mm)	30, 40, 55, 60, 80, 100, 105			
Max length of single arm + blade	Arm : 700mm Blade : 700mm			
Max length of pantograph arm + blade	Arm : 700mm Blade : 700mm			



DOWNLOAD  
**COMPACT SMALL (OPEN)**  
 TECHNICAL SKETCH



**OSLV ITALIA**