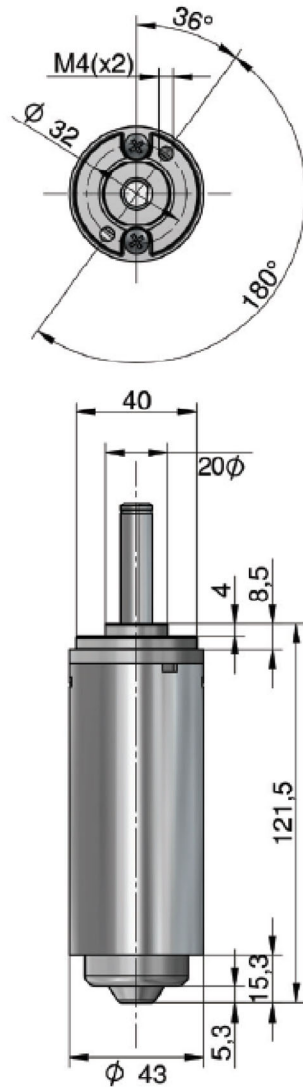


# Motor M42



20

OSLV ITALIA

## TECHNICAL DATA

DESCRIPTION	VALUE
Supply Voltage (VDC)	12, 24
No Load speed (RPM)	2800÷6400
Max Output Power (W)	< 50
Starting Torque (Nm)	< 0,3
Duty Type	S3
Weight (Kg)	< 0,6
Accessories	<ul style="list-style-type: none"><li>• Standard EMC filter</li><li>• Single channel Hall sensor with 1 pulse/revolution</li></ul>
Customizations	<ul style="list-style-type: none"><li>• EMC filter</li><li>• Thermal protection</li><li>• Output shaft</li><li>• Connector and wiring</li></ul>



DOWNLOAD  
MOTOR M42  
TECHNICAL SKETCH