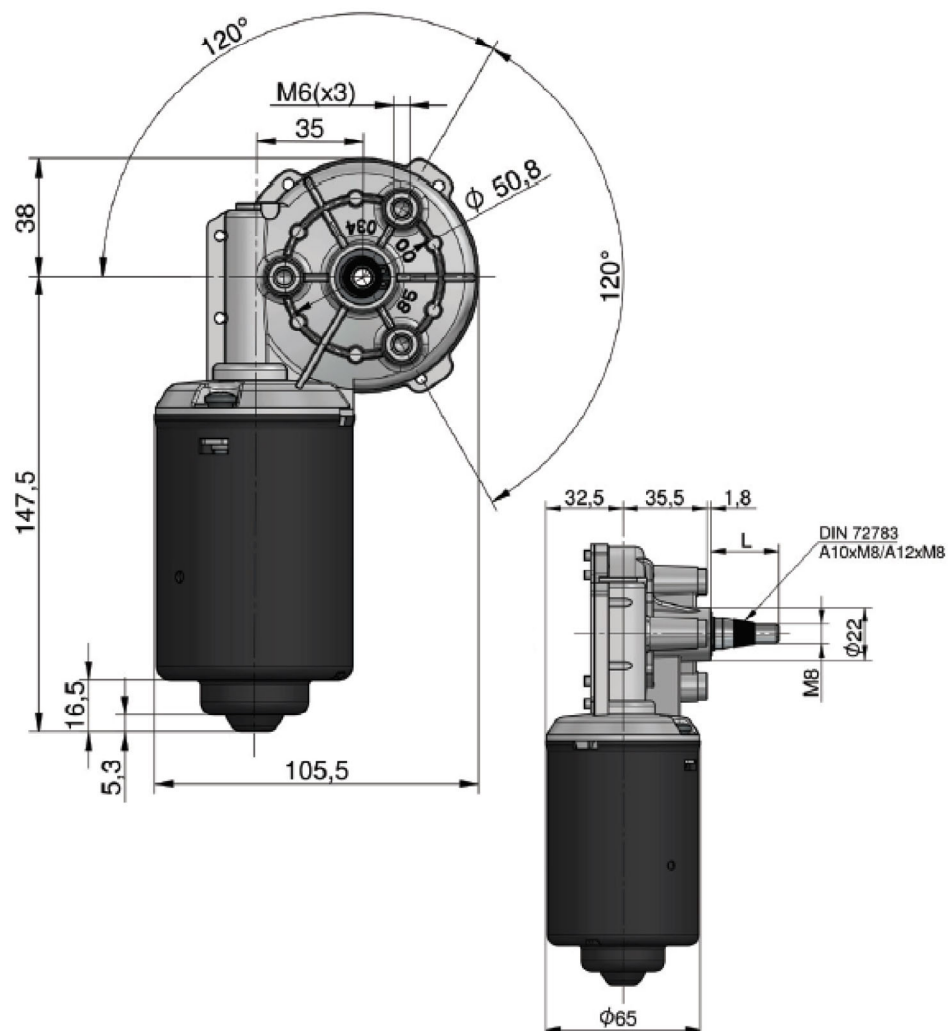


Gearmotor for windshield wipers MRT62-35 DX e SX



TECHNICAL DATA

DESCRIPTION	1 SPEED		2 SPEED	
Nominal voltage (V)	12V	24V	12V	24V
Testing voltage (V)	13,5V	27V	13,5V	27V
Nominal Current (A)	2	1,5	2 / 2,5	1,5 / 2
Max. Current (A)	12	10	12 / 15	10 / 13
No Load Speed (RPM)	35		30/50	
Nominal Torque (Nm)	4			
Starting Torque (Nm)	25	28	25 / 20	28 / 24
Gear Ratio	1 / 63			
IP Grade	40			
Weight (Kg)	1,3			



DOWNLOAD
GEARMOTOR FOR WINDSHIELD
WIPERS MRT62-35 DX
TECHNICAL SKETCH