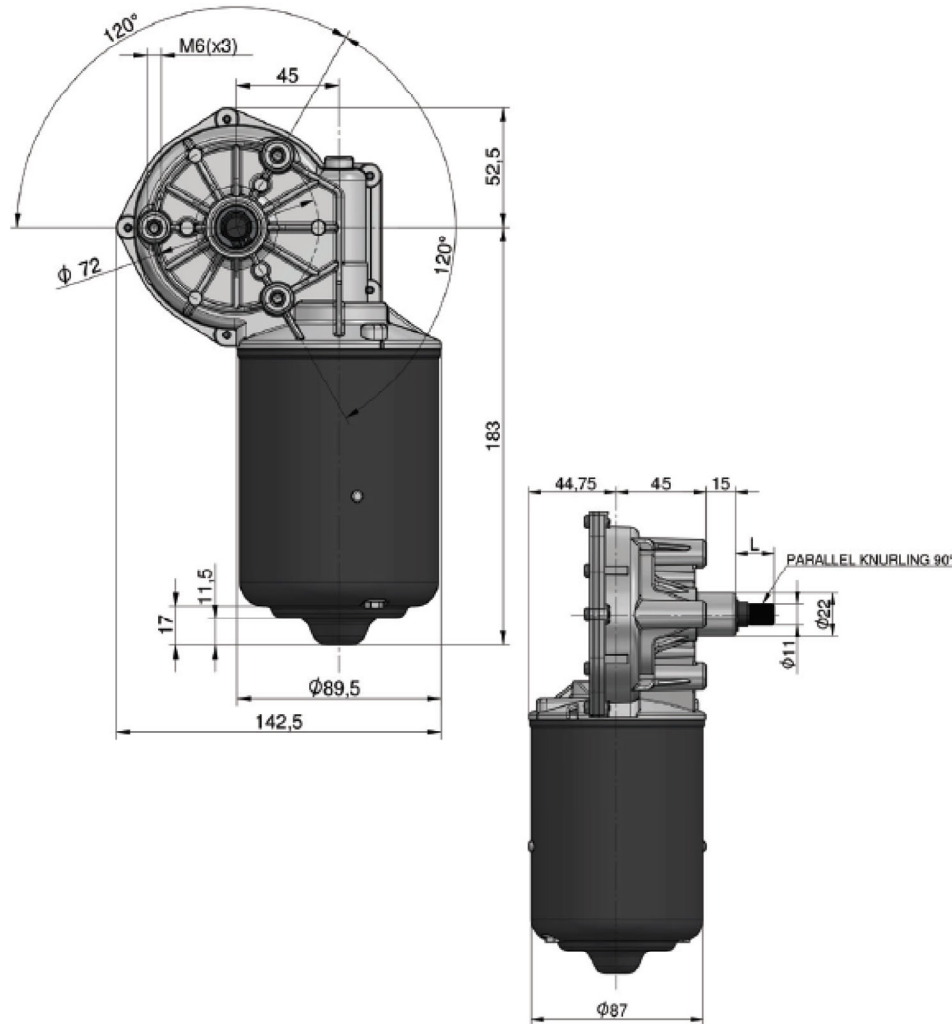


Gearmotor for windshield wipers MRT90-45 DX e SX



TECHNICAL DATA

DESCRIPTION	1 SPEED		2 SPEED	
	12V	24V	12V	24V
Nominal voltage (V)	12V	24V	12V	24V
Testing voltage (V)	13,5V	27V	13,5V	27V
Nominal Current (A)	2,5	2	2,5 / 3	2 / 2,5
Max. Current (A)	18	16	18 / 25	16 / 23
No Load Speed (RPM)	30		30/45	
Nominal Torque (Nm)	10			
Starting Torque (Nm)	60		60/50	
Gear Ratio	1 / 53			
IP Grade	40			
Weight (Kg)	3			



DOWNLOAD
GEARMOTOR FOR WINDSHIELD
WIPERS MRT90-45 DX
TECHNICAL SKETCH