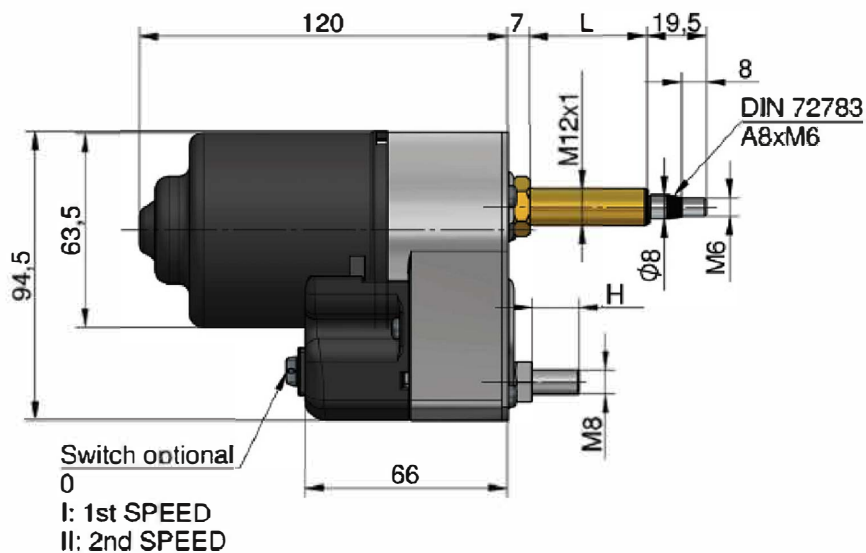


# Gearmotor for Windshield Wipers MRT62-CNT



## TECHNICAL DATA

DESCRIPTION	1 SPEED		2 SPEED	
	12V	24V	12V	24V
Nominal voltage (V)	12V	24V	12V	24V
Testing voltage (V)	13,5V	27V	13,5V	27V
Nominal Current (A)	2,5	1,5	2,5 / 3	1,5 / 2
Max. Current (A)	15	10	15 / 17	10 / 13
No Load Speed (RPM)	45		35 / 50	
Nominal Torque (Nm)	2	3	2 / 3	3 / 4
Starting Torque (Nm)	18	20	18 / 15	20 / 18
IP Grade	40			
Weight (Kg)	1,1			
Wiping angle from... to...	80° - 90° - 110°			
Max Length single arm + Blade	600 + 600			
Max Length pantograph arm + Blade	600 + 600			



DOWNLOAD  
GEARMOTOR FOR WINDSHIEL  
WIPERS MRT62-CNT  
TECHNICAL SKETCH

OSLV ITALIA