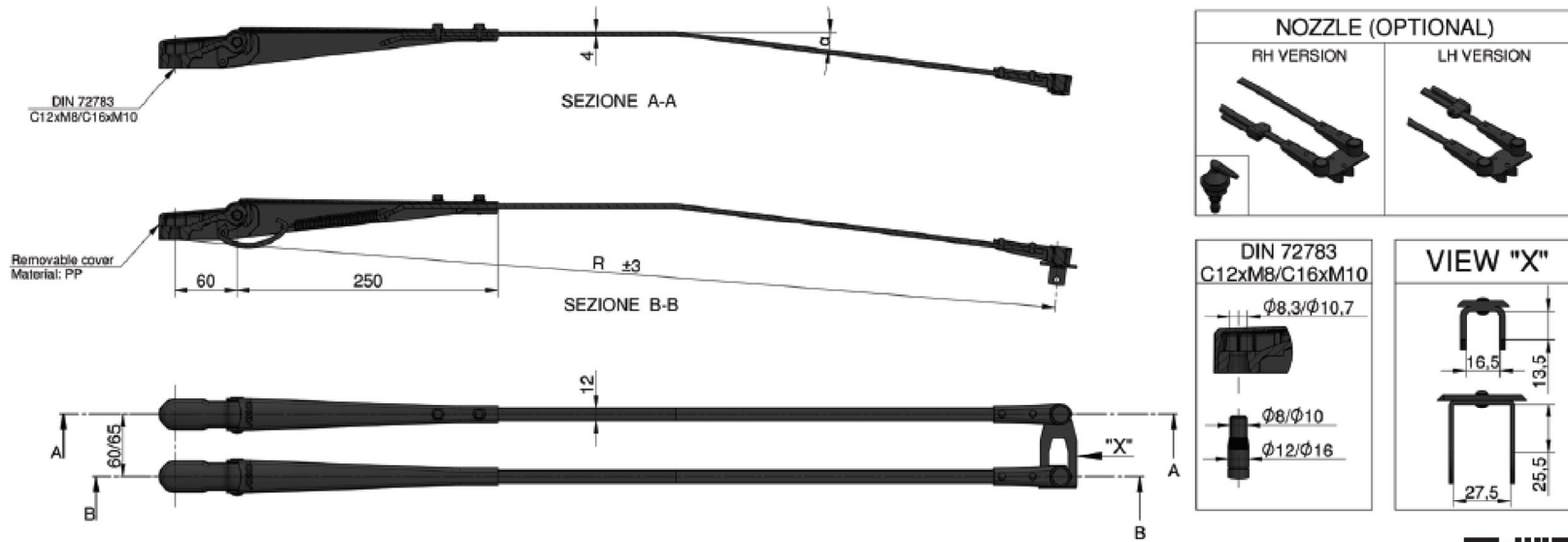


# Pantograph arm 12x4



DOWNLOAD  
PANTOGRAPH ARM 12X4  
TECHNICAL SKETCH



## TECHNICAL DATA

DESCRIPTION	VALUE																				
Lengths	600	610	650	660	670	680	700	725	730	750	790	800	840	850	870	875	880	900	910	930	1000
Shaft connection	DIN72783 C10xM8					DIN72783 C12xM8					DIN72783 C16xM10					Ø11 Parallel knurling 90°					
Blade connection	DIN72786 16,5mm Saddle connection										DIN72786 26,5mm Saddle connection										
Nozzle	Optional																				