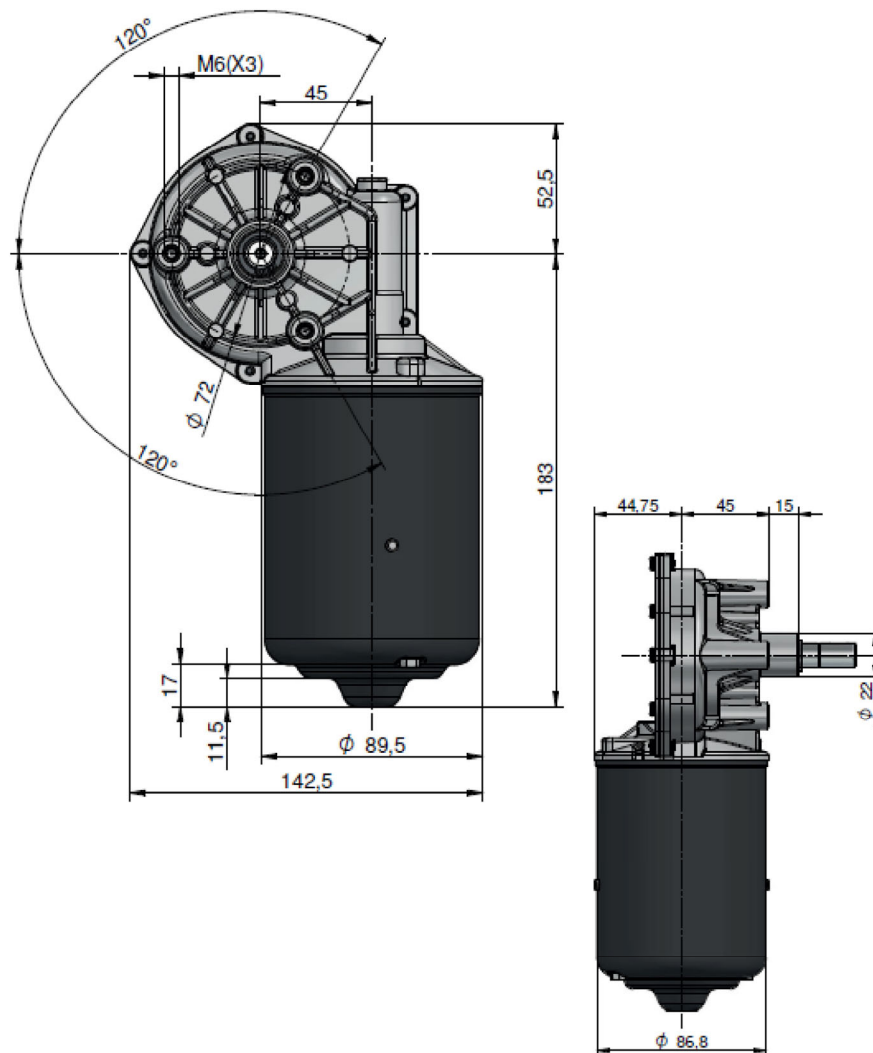


# Gearmotor MR90-45



## TECHNICAL DATA

DESCRIPTION	VALUE
Supply Voltage (VDC)	12, 24, 36, 48
No Load speed (RPM)	10÷350
Starting Torque (Nm)	< 80
Gear ratio	1:53, 1:63, 2:51
Gearwheel material	Pom, Bronze
Duty Type	S1, S2, S3
Max output power (W)	< 200
Weight (Kg)	< 3.2
Accessories:	<ul style="list-style-type: none"> <li>• Standard EMC filter</li> <li>• Single or dual channel Hall sensor with 1 pulses/revolution</li> </ul>

### Customizations:

- EMC filter
- Thermal protection
- Output shaft
- Connector and wiring



DOWNLOAD  
**GEARMOTOR MR90-45**  
 TECHNICAL SKETCH