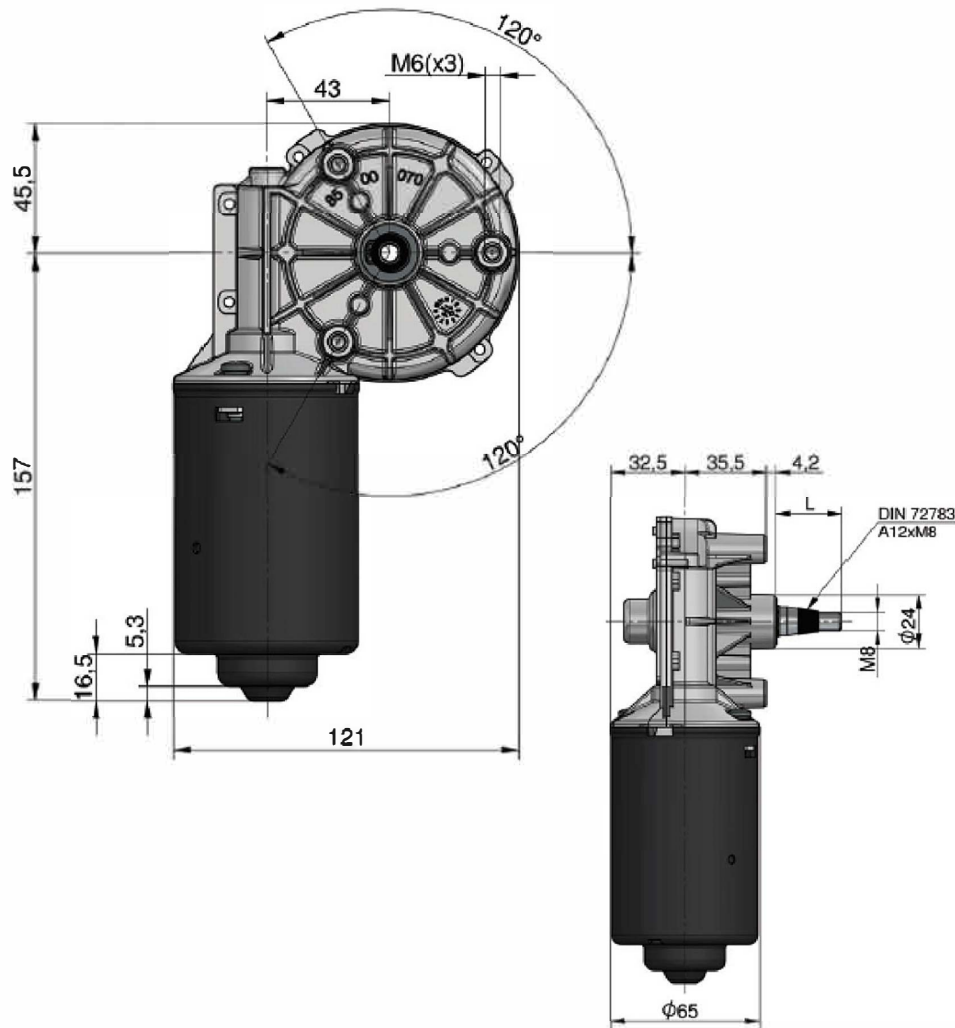


Gearmotor for windshield wipers MRT62-43



TECHNICAL DATA

DESCRIPTION	1 SPEED		2 SPEED	
	Nominal voltage (V)	12V	24V	12V
Testing voltage (V)	13,5V	27V	13,5V	27V
Nominal Current (A)	2	1,5	2 / 2,5	1,5 / 2
Max. Current (A)	12	10	12 / 15	10 / 13
No Load Speed (RPM)	30		30/45	
Nominal Torque (Nm)	4			
Starting Torque (Nm)	40		40 / 35	
Gear Ratio	2 / 110			
IP Grade	40			
Weight (Kg)	1,2			



DOWNLOAD
GEARMOTOR FOR WINDSHIELD
WIPERS MRT62-43
TECHNICAL SKETCH