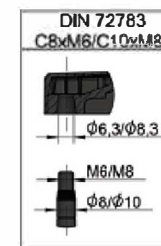
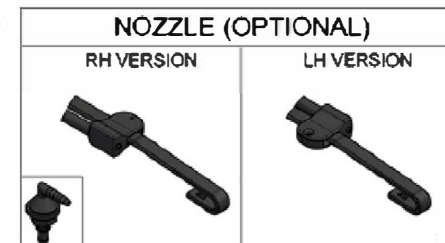
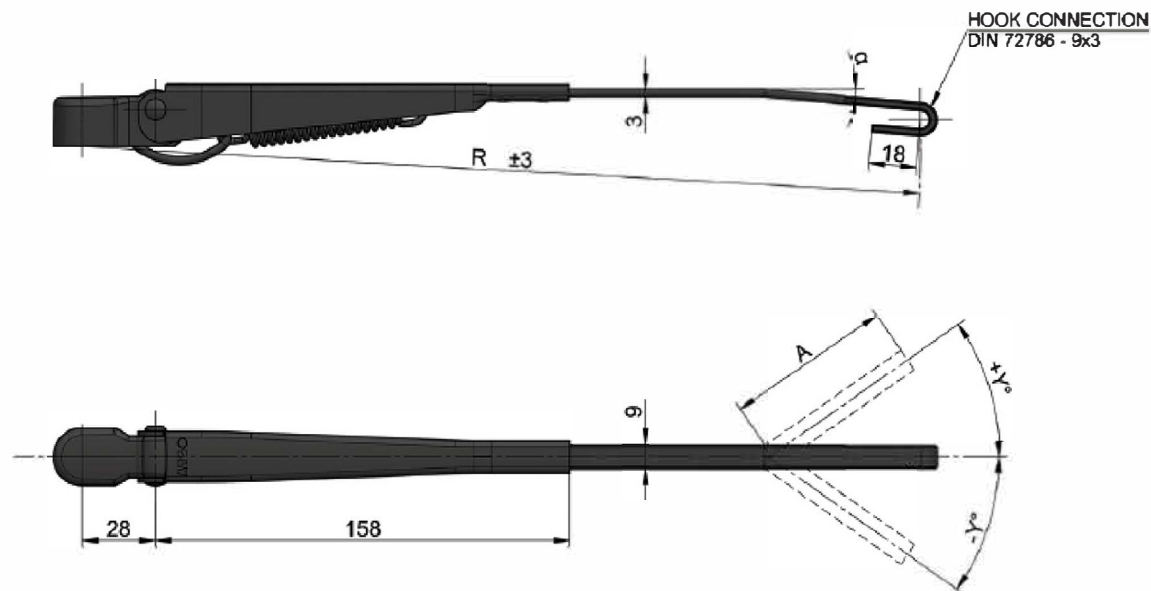


# Single arm 9x3



DOWNLOAD  
SINGLE ARM 9X3  
TECHNICAL SKETCH



## TECHNICAL DATA

DESCRIPTION	VALUE	
Lengths	250 265 270 290 300 315 325 350 355 380 385 390 400 408 410	417 420 425 435 440 450 470 475 480 490 500 510 530 560 600
Angles bending	±20°	
Shaft connection	DIN72783 C8xM6	DIN72783 C10xM8
Blade connection	DIN72786-3 9x3 Hook connection	
Nozzle	Optional	

OSLV ITALIA